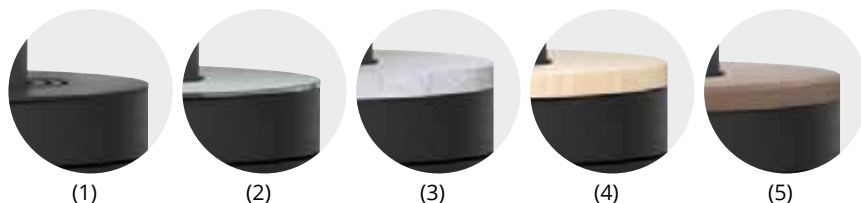




Meva, steel black, cover plate glass



(1)

(2)

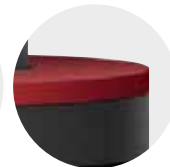
(3)

(4)

(5)

Air flow bar handle with
Snap lock system and
Triple window

(6)



(7)

External combustion
air connection

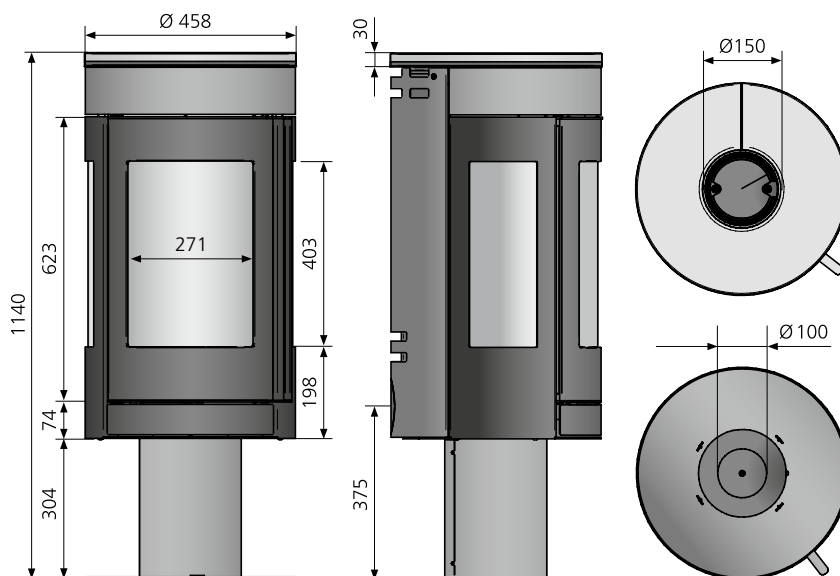
AVAILABLE DESIGNS:

- (1) Steel black
 (2) Cover plate glass, corpus steel black
 (3) Soapstone, corpus steel black
 (4) Sandstone, corpus steel black
 (5) Ceramic Grappa, corpus steel black
 (6) Ceramic Limestone Bianco, corpus steel black
 (7) Ceramic Bordeaux red, corpus steel black

STANDARD SCOPE
OF DELIVERY

- Solid cast iron door
- Air flow bar handle with Snap lock system
- Profiled firebox lining
- Possibility for external combustion air connection comes as standard

Please order the connecting piece for external air connection separately.



24h

88₃
m³>78
%SNAP
LOCK

30cm

-°C

Available designs	Order no.	EAN-Code
Meva, steel black	4827 11	4250340911757
Meva, cover plate glass, corpus steel black	4827 30	4250340911764
Meva, cover plate Soapstone, corpus steel black	4827 22	4250340911771
Meva, cover plate Sandstone, corpus steel black	4827 42	4250340911788
Meva, cover plate Ceramic Grappa, corpus steel black	4827 32	4250340911795
Meva, cover plate Ceramic Limestone Bianco, corpus steel black	4827 87	4250340911818
Meva, cover plate Ceramic Bordeaux red, corpus steel black	4827 37	4250340911801
Optional accessories	Order no.	EAN-Code
Connecting piece for combustion air supply	9200 69	4029807779991
Energy efficiency class	A	
Connection possibility	top	
Operation with external air supply	rear / bottom	
Nominal heat output	kW	5,5
Weight (incl. packaging) steel / glass and stone	ca. kg	98 / 101 / 107
Room heating capability	m ³	88
Length of logs	cm	30
Exhaust gas mass flow	g/s	6,0
Exhaust gas temperature	°C	282
Required discharge pressure	mbar	0,12