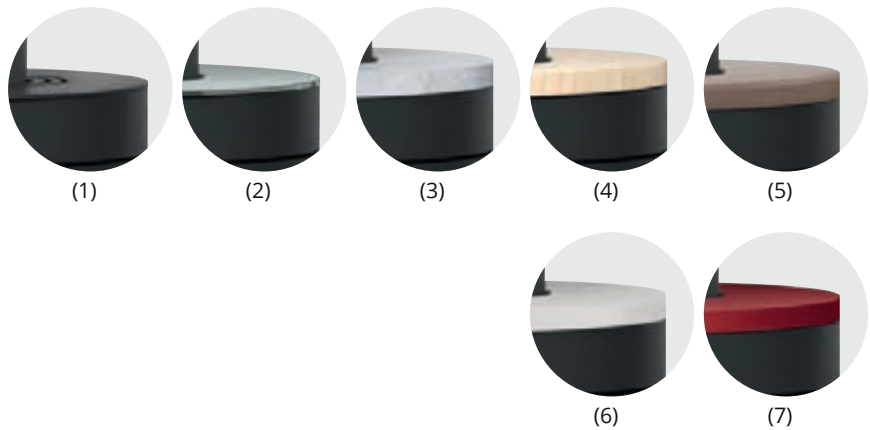


WOOD STOVE

MINO TRIOS 2.0



Mino Trios 2.0, steel black

Air flow bar handle
with Snap lock system
and Triple windowExternal combustion
air connection

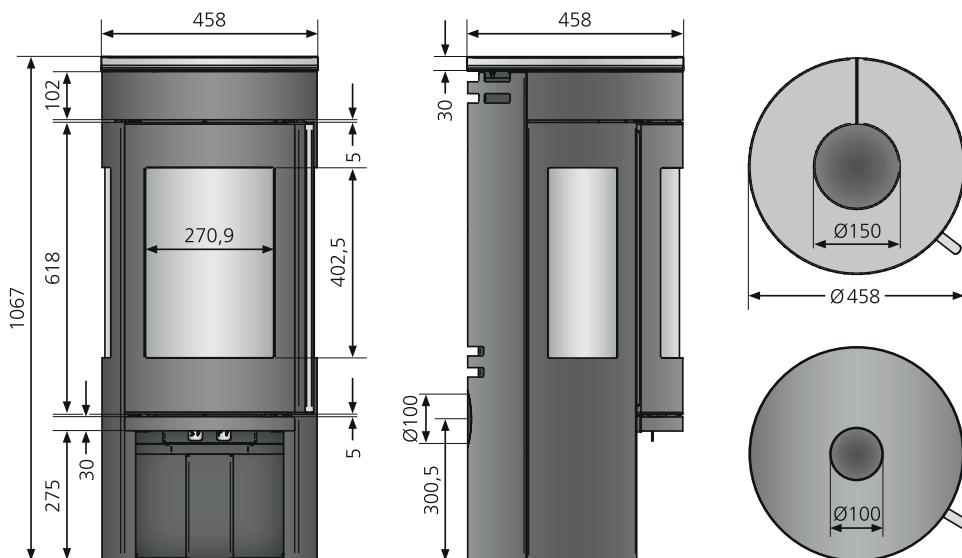
AVAILABLE DESIGNS:

- (1) Steel black
- (2) Cover plate glass, corpus steel black
- (3) Soapstone, corpus steel black
- (4) Sandstone, corpus steel black
- (5) Ceramic Grappa, corpus steel black
- (6) Ceramic Limestone Bianco, corpus steel black
- (7) Ceramic Bordeaux red, corpus steel black

STANDARD SCOPE
OF DELIVERY

- Solid cast iron door
- Possibility for external combustion air connection comes as standard

Please order the connecting piece for external air connection separately.



Available designs	Order no.	EAN-Code
Mino Trios 2.0, Steel black	4825 10	4250340909563
Mino Trios 2.0, cover plate glass, corpus steel black	4825 30	4250340909570
Mino Trios 2.0, cover plate Soapstone, corpus steel black	4825 22	4250340909587
Mino Trios 2.0, cover plate Sandstone, corpus steel black	4825 42	4250340909594
Mino Trios 2.0, cover plate Ceramic Grappa, corpus steel black	4825 32	4250340909600
Mino Trios 2.0, cover plate Ceramic Limestone Bianco, corpus steel black	4825 87	4250340909617
Mino Trios 2.0, cover plate Ceramic Bordeaux red, corpus steel black	4825 37	4250340909624
Optional accessories	Order no.	EAN-Code
Connecting piece for combustion air supply	9200 69	4029807779991
Rotating tray steel black, Ø 460 mm (for top connection)	9214 72	4029808539426
Energy efficiency class	A	
Connection possibility	top	
Operation with external air supply	rear / bottom	
Nominal heat output	kW	5,5
Weight (incl. packaging) steel / glass / stone	ca. kg	98 / 98 / 107
Room heating capability	m ³	88
Length of logs	cm	30
Exhaust gas mass flow	g/s	6,0
Exhaust gas temperature	°C	282
Required discharge pressure	mbar	0,12